

**A**

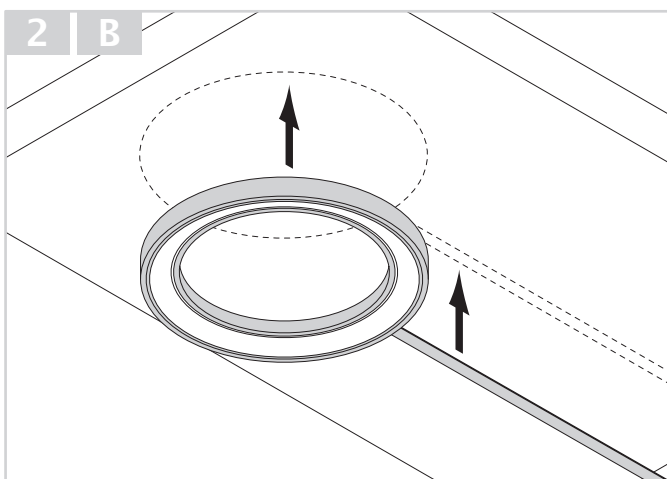
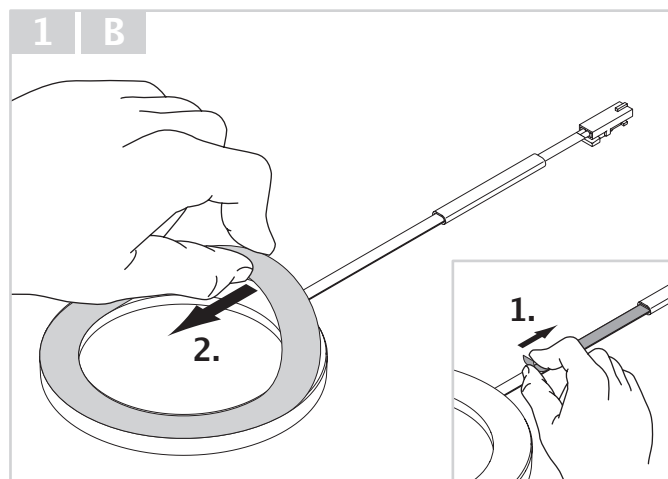
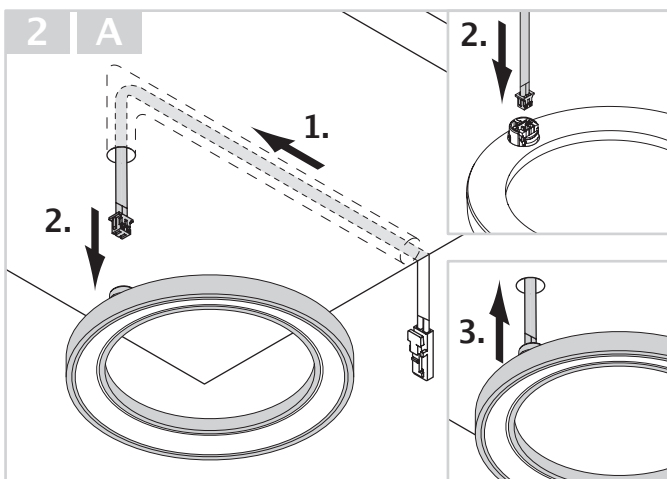
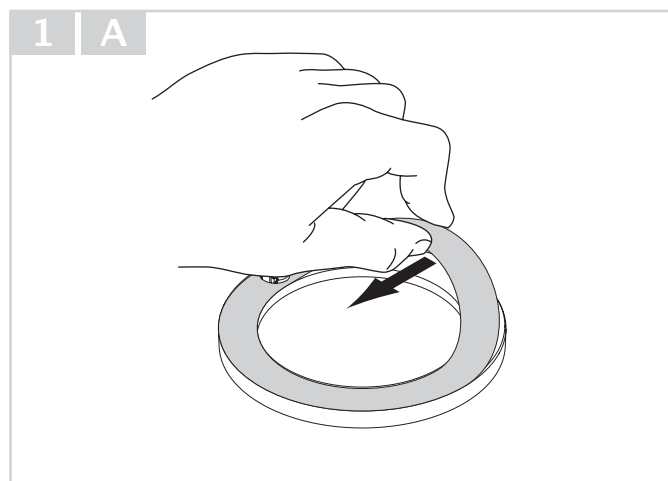
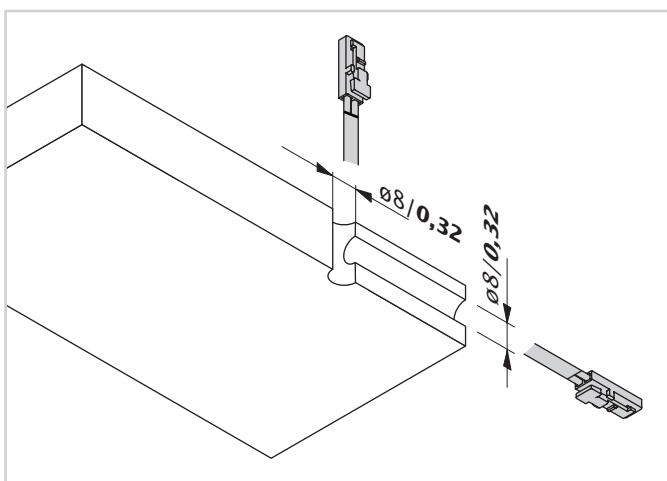
**CAUTION**

The mounting means provided with this luminaire has not been evaluated for reliability. If installed where failure of the mounting means could cause injury to persons or damage to property below, supplemental means of securement should be considered.

**B**

mm/inch

LD8228-78 RIX2-21	LED 3,3W 24V	2700K-6400K	LD8228-78RH2-21
LD8228-78 RI-22	LED 4,3W 24V	3000K	LD8228-78RH-22
LD8228-78 RI-23	LED 4,3W 24V	4000K	LD8228-78RH-23



**3**

LED Constant voltage Driver 24V  
 SELV acc. to EN 61347-2-13, EN 62384  
 $P_{Driver} = 10\% > P_{LD\ 8228-78X2\ RI / LD8228-78X2\ RH}$

