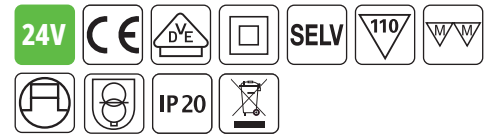




LED DRIVER CONSTANT VOLTAGE CV 2418

COMPACT AND GOOD.

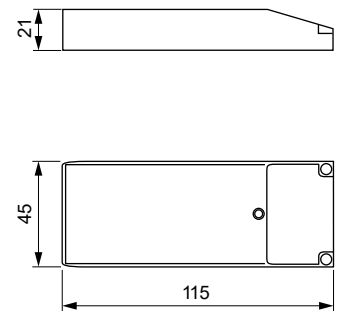
This compact LED driver is particularly well-suited for smaller applications, and thanks to its small size, it fits even in compact furniture.



CV 2418

Operating voltage	Pri.: 220-240 V / 50-60 Hz
	Sec.: 24 V
Rated power	18 W
Primary lead	3000 mm
Connector	See chart
Secondary lead	120 mm
Socket/Distributor	See chart
Protection	Short circuit Overload Overvoltage
No-load protection	Yes
Dimming function	No
Protection	IP 20
Protection class	II

DIMENSIONS



Note:

Connection cable with Euro flat plug or mini plug. Connection cable with a 6-port mini splitter (green) or a 6-port ESP splitter (parallel, black or white).

PRODUCTS

Art. No.	Rated power (W)	Primary	Secondary	ta (°C)	tc (°C)	λ	Weight (g)
538 005 77	18	-	-	-20...+50	85	0,8	90
538 005 01	18	Euro flat plug	6-port mini distributor green	-20...+50	85	0,8	245
538 005 22	18	Euroflachstecker	6-port ESP distributor black	-20...+50	85	0,8	235
538 005 25	18	Euro flat plug	6-port ESP distributor white	-20...+50	85	0,8	225