



LED DRIVER CONSTANT VOLTAGE CV 24XX

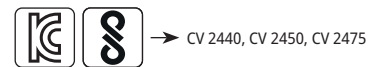
UNIVERSAL POWER.

Versatile LED driver available in four power ratings. Features screw terminals for connecting cables with bare wire ends. Optionally available with an integrated C7 socket and UL certification for C8 connection cables.



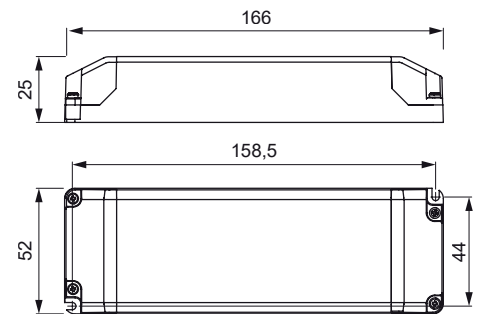
CV 24XX

Operating voltage	Pri.: 220-240 V / 50-60 Hz
	Sek.: 24 V
Rated power	See chart
Primary lead	3000 mm
Connector	Siehe Tabelle
Secondary lead	130 mm
Socket/Distributor	See chart
Protection	Short circuit Overload Overvoltage
No-load protection	Yes
Dimming function	No
Protection	IP 20
Protection class	II

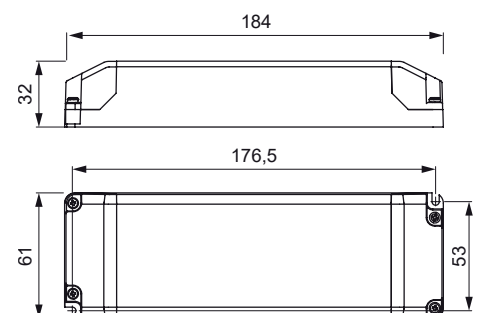


DIMENSIONS

CV 2440



CV 2450 / CV 2475 / CV 24100



Note:

Connection cable with Euro flat plug or mini plug. Connection cable with a 6-port mini splitter (green) or a 6-port ESP splitter (parallel, black or white).

PRODUCTS

Art. No.	Rated Power (W)	Primary	Secondary	ta (°C)	tc (°C)	λ	Weight (g)
539 766 77	40	-	-	-20...+50	85	0,95	196
539 766 01	40	Euro flat plug	6-way minidistributor green	-20...+50	85	0,95	325
539 766 14	40	Euro flat plug	6-way ESP distributor black	-20...+50	85	0,95	n.a.
539 766 17	40	Euro flat plug	6-way ESP distributor white	-20...+50	85	0,95	n.a.
539 766 02	40	Mini plug	6-way minidistributor green	-20...+50	85	0,95	320
539 766 19	40	Mini plug	6-way ESP distributor black	-20...+50	85	0,95	n.a.
539 766 20	40	Mini plug	6-way ESP distributor white	-20...+50	85	0,95	n.a.
539 115 77	50	-	-	-20...+50	80	0,95	280
538 115 02	50	Euro flat plug	6-way minidistributor green	-20...+50	80	0,95	475
538 115 10	50	Euro flat plug	6-way ESP distributor black	-20...+50	80	0,95	n.a.
538 115 11	50	Euro flat plug	6-way ESP distributor white	-20...+50	80	0,95	n.a.
538 115 06	50	Mini plug	6-way minidistributor green	-20...+50	80	0,95	455
538 115 12	50	Mini plug	6-way ESP distributor black	-20...+50	80	0,95	n.a.
538 115 13	50	Mini plug	6-way ESP distributor white	-20...+50	80	0,95	n.a.
538 171 77	75	-	-	-20...+40	80	0,95	356
538 171 11	75	Euro flat plug	6-way minidistributor green	-20...+40	80	0,95	485
538 171 35	75	Euro flat plug	6-way ESP distributor black	-20...+40	80	0,95	n.a.
538 171 36	75	Euro flat plug	6-way ESP distributor white	-20...+40	80	0,95	n.a.
538 171 02	75	Mini plug	6-way minidistributor green	-20...+40	80	0,95	445
538 171 37	75	Mini plug	6-way ESP distributor black	-20...+40	80	0,95	n.a.
538 171 38	75	Mini plug	6-way ESP distributor white	-20...+40	80	0,95	n.a.
539 037 77	100	-	-	-20...+50	85	0,95	332
539 037 05	100	Euro flat plug	6-way minidistributor green	-20...+50	85	0,95	487
539 037 21	100	Euro flat plug	6-way ESP distributor black	-20...+50	85	0,95	n.a.
539 037 22	100	Euro flat plug	6-way ESP distributor white	-20...+50	85	0,95	n.a.
539 037 06	100	Mini plug	6-way minidistributor green	-20...+50	85	0,95	465
539 037 23	100	Mini plug	6-way ESP distributor black	-20...+50	85	0,95	n.a.
539 037 24	100	Mini plug	6-way ESP distributor white	-20...+50	85	0,95	n.a.

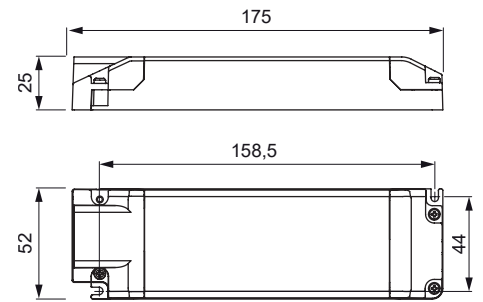


CV 24XX (integrated C7 socket)

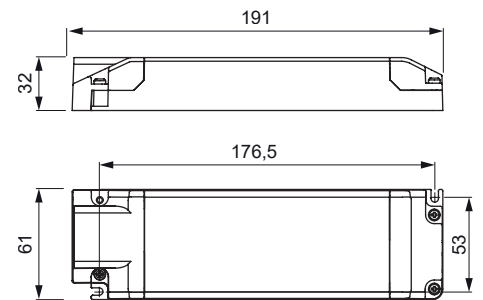
Operating voltage	Pri.: 220-240 V / 50-60 Hz
	Sec.: 24 V
Rated power:	See chart
Primary lead	Order separately
Connection socket:	C7
Secondary lead:	130 mm
Socket/Distributor	See chart
Protection	Short circuit Overload Overvoltage
No-load protection	Yes
Dimming function	No
Protection	IP 20
Protection class	II

DIMENSIONS

CV 2440



CV 2450 / CV 2475



Note:

C7 connector socket. Please order compatible connection cables separately. Assemblies including a connection cable with a 6-way mini-splitter (green) or a 6-way ESP splitter (parallel, black or white) are available upon request.

PRODUKTE

Art. No.	Rated power (W)	Primary	Secondary	ta (°C)	tc (°C)	λ	Weight (g)
539 748 70	40	C7 socket	-	-20...+50	85	0,95	192
539 749 70	50	C7 socket	-	-20...+50	80	0,95	n.a.
539 750 70	75	C7socket	-	-20...+40	80	0,95	486

