



LD 8104

SLIM RECESSED LIGHT FOR SEAMLESS FURNITURE INTEGRATION

The LD 8104 is a particularly compact recessed luminaire designed for furniture and interior fittings where lighting needs to be integrated discreetly and precisely. With a profile width of just 6.4 mm and a height of 10 mm, the luminaire can be integrated almost invisibly into furniture surfaces, providing a clear, even line of light.

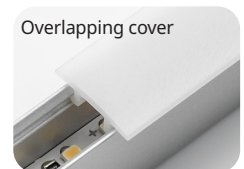
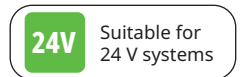
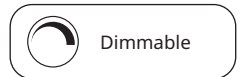
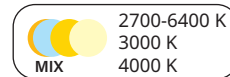
Thanks to flexible lengths, various covers, and end caps, the LD 8104 is highly versatile and perfectly suited for modern living concepts.



This light fixture is also available in standard lengths and other models. Please contact us!

PRODUCT FEATURES

Operating voltage	24 V
Housing	Aluminum
Diffuser	Opal white / Black
Power	Config-dependent
LED type	SMD/COB
Light colour	See chart
Luminous flux	Config-dependent
Lux in 600mm	Config-dependent
CRI	>90
Dimmable	Ja
Connection cable	Config-dependent
Connection system	Config-dependent
Mounting	Recessed mounting
Protection	IP 20
Protection class	III



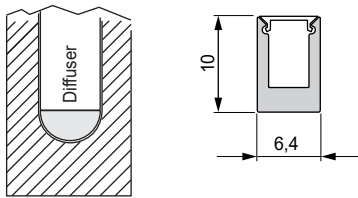
PRODUCTS

Art. No.	Power (W)	Light colour (K)	Colour	Diffuser	Length (mm)	Lumen (lm)
500 000 09	Config-dependent	3000 / 4000 / 2700-6400	Silver	Opal white, flush	250-3000	Config-dependent
			Silver	Black, flush	250-3000	
			Black	Opal white, flush	250-3000	
			Black	Black, flush	250-3000	
			Silver	Opal white, overlapping	250-3000	
			Silver	Black, overlapping	250-3000	
			Black	Opal white, overlapping	250-3000	
			Black	Black, overlapping	250-3000	

DIMENSIONS

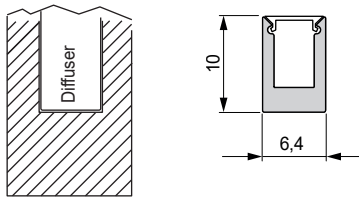
A

Custom-fit cover
e.g., for MDF;
with semicircular end cap



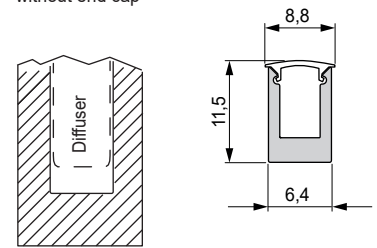
B

Custom-fit cover
e.g., for MDF;
without end cap



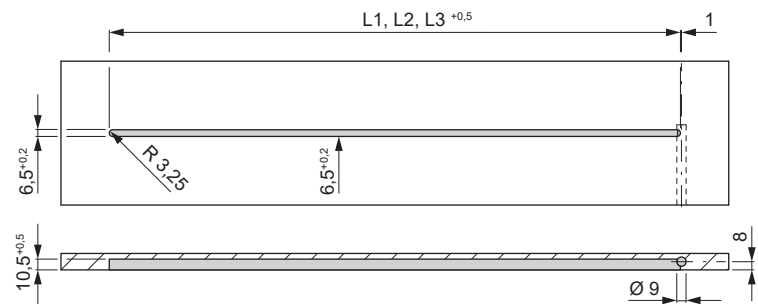
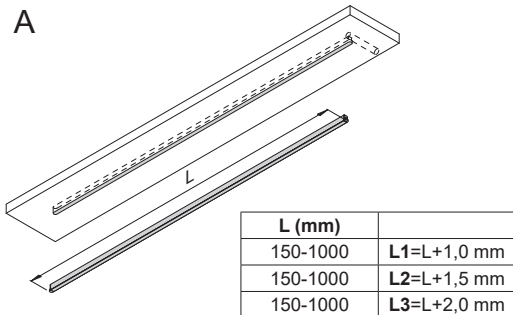
C

Overlapping cover
e.g., for particleboard;
without end cap

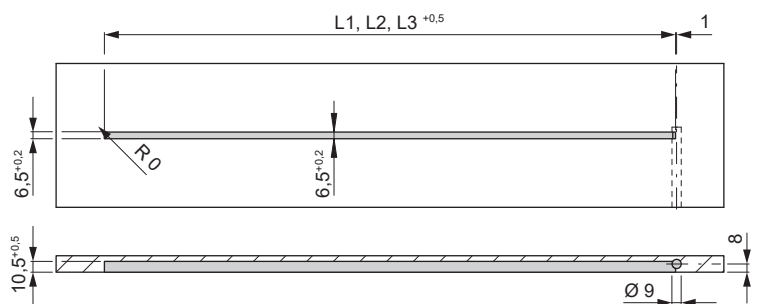
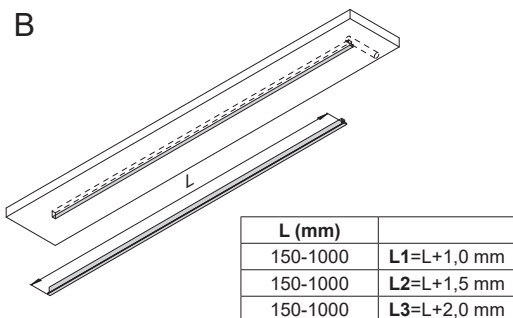


MOUNTING / MILLING

A



B



C

