



LD 8177

ONE SYSTEM. LOTS OF OPTIONS.

The LD 8177 recessed light combines precise lighting technology with a consistently minimalist design. As a Red Dot Award winner in 2025 and recipient of the German Design Award in 2026, it stands for high design quality and a well-thought-out system concept. Customisable lengths, variable light colours and a modular accessory concept make it the ideal solution for sophisticated kitchen designs in project and furniture construction.

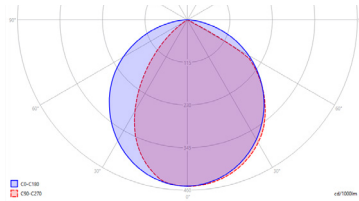
NOTE: The back panel requires a panel thickness of 16 mm.

PRODUCT FEATURES

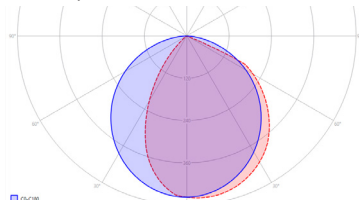
| | |
|-------------------|---|
| Operating voltage | 24 V |
| Profile | Aluminum, black |
| Length | Custom, max. 3200 mm |
| Power | 10,5 W/m (Measured value: LED strip) |
| LED type | SMD-TWINF2-LED2216 4mm |
| Licht colour | 2700-6400K |
| Luminous flux | See chart |
| Lux in 600mm | See chart |
| CRI | > 90 |
| Dimmable | Yes |
| Connection cable | 2-pole |
| Connection system | ESP |
| Mounting | Clamp/Adhesive Installation |
| Protection | IP20 |
| Protection class | III |

LIGHT DISTRIBUTION

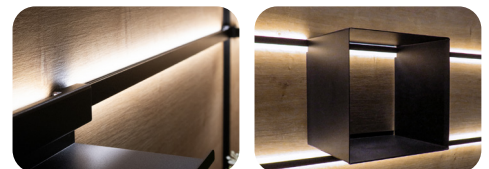
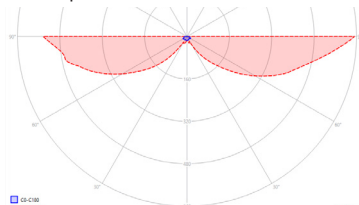
Top profile (A)



Centre profile horizontal (B)



Center profile vertical (C)



PRODUCTS

| | Art. No. | Power (W) | Light colour (K) | Lumen (lm) | Colour | Length (mm) |
|---|------------|-----------|------------------|------------|---------|-------------|
| A | 500 000 24 | 10,5 | 2700-6400 | 93-95 lm/W | Schwarz | 150-3200 |
| B | 500 000 22 | 2x10,5 | 2700-6400 | 93-95 lm/W | Schwarz | 150-3200 |
| C | 500 000 23 | 10,5 | 2700-6400 | 93-95 lm/W | Schwarz | 150-3200 |

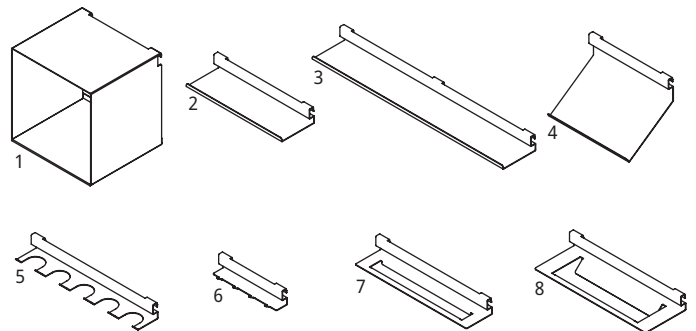
A: Lighting profile for the top edge

B: Lighting profile for horizontal installation between 16 mm back panels with a mounting groove for additional elements

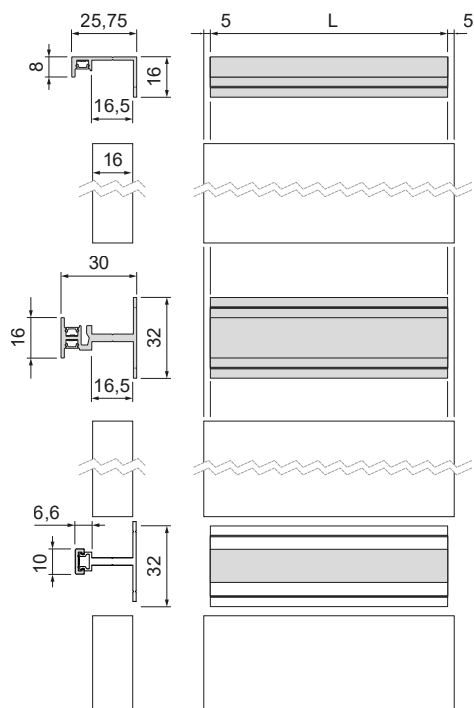
C: Lighting profile for horizontal or vertical installation between 16 mm back wall panels

ACCESSORIES

| | Art. No. | Description | Colour | Dim. (mm) |
|---|------------|--------------------------|---------|-----------|
| 1 | 530 551 01 | Storage box | schwarz | 250x250 |
| 2 | 530 551 02 | Straight shelf | schwarz | 300 |
| 3 | 530 551 03 | Straight shelf | schwarz | 600 |
| 4 | 530 551 04 | Tilted shelf | schwarz | 250 |
| 5 | 530 551 05 | 5-comp. spice jar holder | schwarz | 382,5 |
| 6 | 530 551 06 | 4-hook rack | schwarz | 200 |
| 7 | 530 551 07 | Towel rack | schwarz | 350 |
| 8 | 530 551 08 | Kitchen roll holder | schwarz | 350 |



DIMENSIONS



MOUNTING

