

**EXCLUSIVELY
FOR THE U.S. MARKET**



VARIO D10 - USA

COMPACT POWER SUPPLY FOR SHELVING SYSTEMS.

The VARIO D10 delivers power exactly where it's needed. Its compact design and easy installation help create a clean, organized layout for store fixtures without exposed cables. When combined with the VARIO system, it provides a reliable and flexible power solution for modern retail environments.

SYSTEM BENEFITS

- Space-saving, discreet power supply with no visible wiring
- Compact design
- Clip connectors available for direct connection of LED strips

PRODUCT FEATURES

Operating voltage	24 V
Current	Max. 6 A
Material	Plastic Copper conductors
Power	Max. 144 W
Length	See chart
Connection cable	3.54 in / 39.4 in (90 mm / 1000 mm)
Connection system	ESP
Mounting	Adhesive mounting Screw mounting
Protection	IP 20
Protectionclass	III



24 V Suitable for 24 V systems

MAX. 6A Maximum current: 6 A

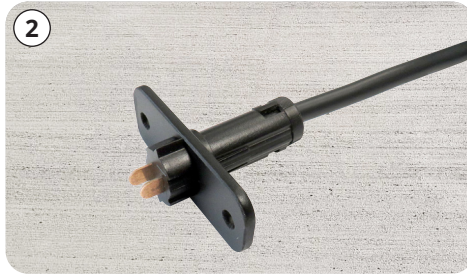


SYSTEM COMPONENTS



Power conductor profile

- Plastic



Feeder

- Built-in adapter with spring contacts for powering the rail
- For screwing or gluing in
- 39.4 in (1000 mm) cable with ESP plug



Current collector

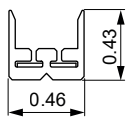
- Adapter with spring contacts for installation in a shelf
- 3.54 in (90 mm) cable with ESP socket
- Installation dim. \varnothing 0.39 in (10 mm)

PRODUCTS

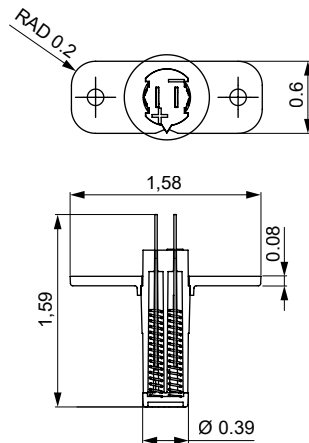
Art. No.	Description	Color	Length (inch)	Weight (g)
① 540 176 70	Power conductor profile	Black	94.50	297
540 176 71	Power conductor profile	White	94.50	297
② 539 830 01	Feeder, ESP plug	Black	39.40	39
539 830 51	Feeder, ESP plug	White	39.40	39
③ 539 829 71	Current collector, clip connector for LED strips		3.54	4
539 829 01	Current collector, ESP socket	Black	3.54	7
539 829 51	Current collector, ESP socket	White	3.54	7

DIMENSIONS

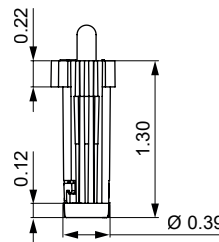
Profil
Profile



Einspeiser
Feeder



Stromabnehmer
Current collector



Stromabnehmer, Clip
Current collector, clip

